

## Current Sense Xfmr-SMD Type: 0-10A, 250kHz+

Designed to monitor current at 250kHz and above. These transformers have a primary current rating of 10 Amps max.

Part No.	Turn Ratio N1:N2	Sec Inductance uH Min.	Sec DCR mΩ Max
<a href="#"><u>CSE5-100201</u></a>	1:20	80	550
<a href="#"><u>CSE5-100301</u></a>	1:30	180	870
<a href="#"><u>CSE5-100401</u></a>	1:40	320	1140
<a href="#"><u>CSE5-100501</u></a>	1:50	500	1500
<a href="#"><u>CSE5-100601</u></a>	1:60	720	1750
<a href="#"><u>CSE5-100701</u></a>	1:70	980	4750
<a href="#"><u>CSE5-101001</u></a>	1:100	2000	5500
<a href="#"><u>CSE5-101251</u></a>	1:125	3000	6500

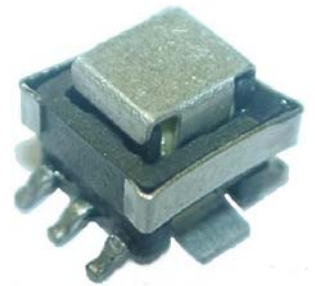
### CSE5-100701

#### Description:

EE5 Surface mounting design  
 Height: 5.3mm Max  
 Optimal performance at 250 kHz and above  
 Primary Current Rating: 10 amps  
 Insulation Resistance: 10MΩ Minimum  
 Operating Temperature Range: -15°C to +105°C  
 Custom designs available

#### Application:

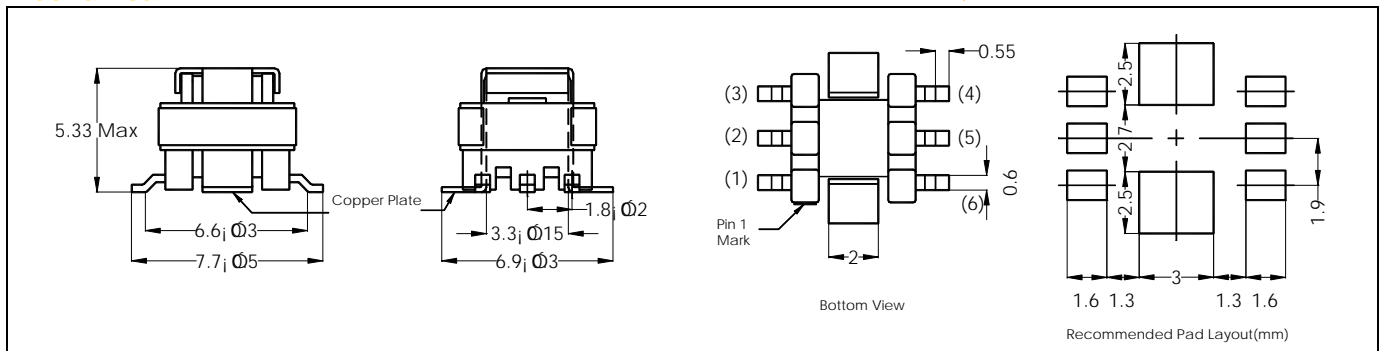
Ac current detection  
 Output supply for control circuit  
 Switching Power Supply



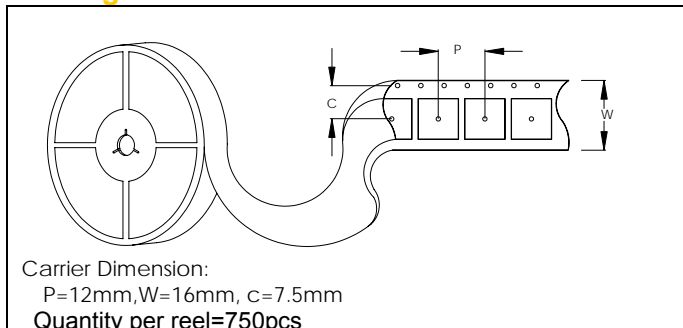
#### Electrical Specifications @ 25C

Turns N1:N2	Secondary Min Inductance (μH)	Secondary Max DCR (mΩ)	Color Code	
			Dot	Tape
1:70	980	4750	RED	YEL

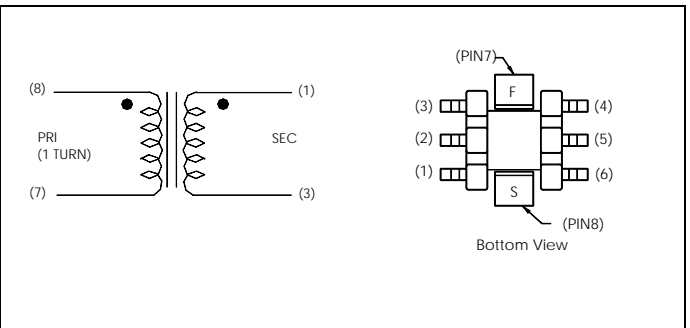
#### Mechanical:



#### Packing:



#### Schematic:



**RoHS Compliance:** As of manufacturing date February 2005, all standard products meet the requirements of 2002/95/EC, known as the RoHS initiative.